

## Distribution Terminal box: YTDB-1M48B

### Overview

YTDB-1M48B Optical Distribution Box offers ideal environment for optical fibers termination and distribution.

Two doors with different locks offer two safety levels for the box.

### Features

- The cabinet has functions of cable termination and distribution.
- Solid and fully closed structure with pleasing appearance.
- Material: Aluminum alloy - lightweight.
- Easy installations: Wall mountable.
- Two doors with different locks ensure the safety of the fibers and offer two safety levels for the box.
- The central adapter board separates the incoming cables and the exiting fibers.
- Adoptable adapter types: FC, SC, LC/Duplex



## Dimensions and Capacity

Dimensions (W*D*H)mm	Capacity SC adapter	Capacity (LC Duplex)
343 x 343 x 84	24	48
<ul style="list-style-type: none"> <li>• Customized designs available upon request.</li> </ul>		

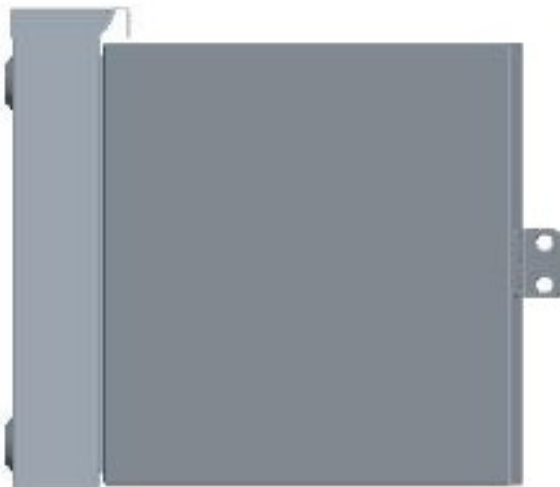
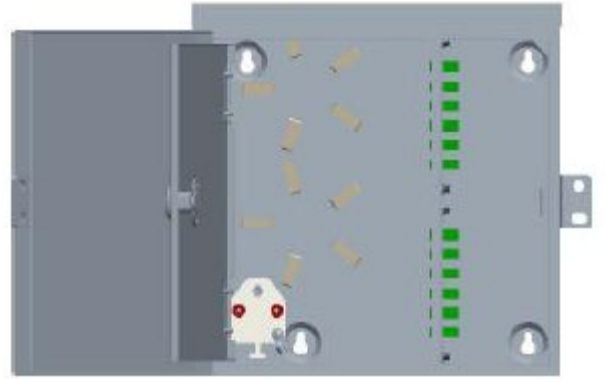
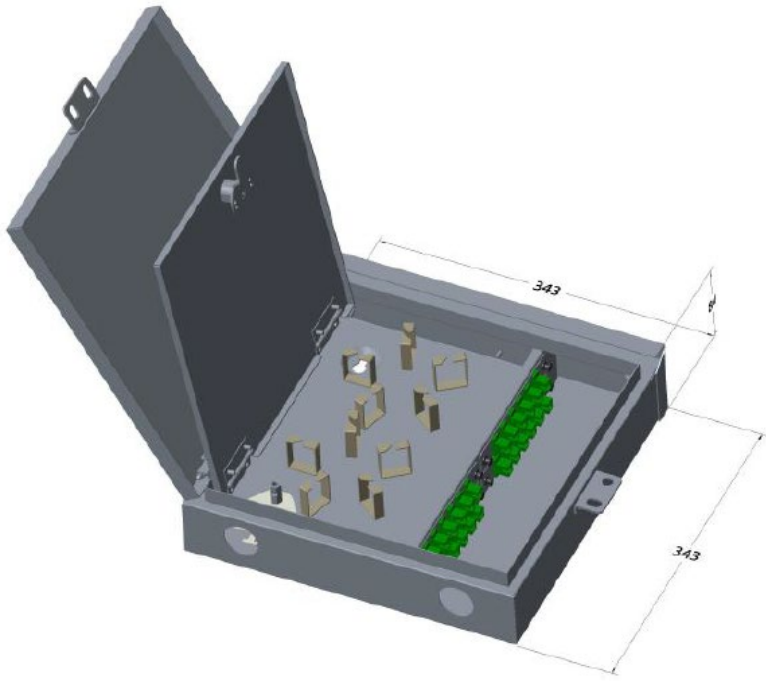
## Operation Conditions

Temperature	Humidity	Air Pressure
-30°C - 75°C	≤90% (at 30 °C)	70kPa – 106kPa

## Packing

Package Contents	Humidity
Terminal box, 1 unit; Installation accessories, 1 set	Carton box

Technical Drawing



Part Details

